

Tymbia

Handling & Warehouse Equipment

N Series Rough Terrain Forklift

2WD Rough Terrain Forklifts



Tymbia Solutions S.L

www.tymbia.com

info@tymbia.com - Tel. (0034) 964 371 296

Camí Miralcamp,139 - 12200 - Onda (Castellón) - Spain.



N
series



2WD SERIES 2.5T
3m Duplex Mast, Pneumatic Tyres
FD25T FG30T FG35T



2WD SERIES 3.5T
3m Duplex Mast, Pneumatic Tyres
FD25T FG30T FG35T

ADDITIONAL OPTIONS AVAILABLE:

Triplex Mast, Solid and Non-marking Tyres, Fork Positioner

Market leading engines ensure superior performance, durability and excellent fuel efficiency. All diesel forklifts have Mitsubishi or Isuzu engines. The LPG and gasoline forklifts utilise Nissan engines.



N
series

N Series

Rough Terrain Forklift

capacity 2,500 to 3,500kg





PERFORMANCE INTRODUCTION

WE STUDIED ALL THE SPECIFICATIONS OF THE BEST FORKLIFTS IN THE WORLD, SPECIALIZED IN INDUSTRIAL AND ROUGH TERRAIN TYPES, DETERMINING THE CHARACTERISTICS THAT MAKES A FORKLIFT WORK WELL IN AN INDUSTRIAL ENVIRONMENT.



Large size deep pattern off-road vacuum tire with excellent off-road capability and shock absorption performance.



Generous ground clearance and optimized dimension provide excellent manoeuvring and stability under the terrain.



Fully opening up of bonnet reveals the convenient access to mechanical components for simplified maintenance.



With original integrated suspension chassis design, adopting four anti-vibration pads below, it effectively reduce vibration and improve operator's comfort.



Wide View Mast

Wide view mast design provide a better vision and increase working stability and safety, which is more suitable for outdoor working and easy entrance of the pallet.



Cooling System

The cooling system is designed with upgraded technology, reliability, better heat dissipation effect. Satisfied with continuous working condition upon +43 degree temperature.



N Series Rough Terrain Forklift

4X2 Rough Terrain Forklift

MAIN SPECIFICATIONS

		Tymbia				
General	1	Manufacturer				
	2	Model	FD25T-C	FD30T-C	FD35T-C	
	3	Power Type	Diesel	Diesel	Diesel	
	4	Rated Load Capacity	Q (kg)	2500	3000	3500
	5	Load Centre	C (mm)	500	500	500
Characteristic & Dimension	6	Rated Lift Height	H3 (mm)	3000	3000	3000
	7	Free Lift Height	H2 (mm)	160	165	165
	8	Fork Size (LxWxT)	mm	1220x122x40	1220x122x45	1220x122x45
	9	Mast Tilt Angle (F/R, α° / β°)	deg	10/12	10/12	10/12
	10	Fork Overhang (Wheel Center to Fork Face)	x1 (mm)	585	600	600
	11	Rear Overhang	x2 (mm)	520	520	520
	12	Ground Clearance (Bottom of Mast)	H7 (mm)	240	270	270
	13	Length to Face of Fork (Without Fork)	L1 (mm)	2946	2956	2956
	14	Overall Width	B1 (mm)	1557	1600.5	1600.5
	15	Mast Lowered Height	H1 (mm)	2215	2330	2330
	16	Mast Extended Height (With Backrest)	H4 (mm)	4122	4305	4305
	17	Side Shift	x (mm)	290-1150	250-1160	250-1160
	18	Overhead Guard Height	H5 (mm)	2256.5	2276	2276
	19	Turning Radius (Outside)	Wa (mm)	2900	2900	2900
	20	Min. Aisle Width for Pallets	Ast (mm)	4726	4741	4741
Performance	21	Travel Speed (No Load)	km/h	20/18	22/22	22/22
	22	Lifting Speed (Full Load)	mm/sec	640/620	450	450
	23	Lowering Speed (Full Load)	mm/sec	600	540	540
	24	Max. Drawbar Pull (Full Load)	KN	17	17	17
	25	Max. Gradeability (Full Load)	%	20	16	16
Chassis	26	Tyre (Front x 4)		12-16.5-12PR	14-17.5-14PR	14-17.5-14PR
	27	Tyre (Rear x 2)		27x10-12-12PR	27x10-12-12PR	27x10-12-12PR
	28	Front Tread	B2 (mm)	1250.5	1250.5	1250.5
	29	Rear Tread	B3 (mm)	1205	1205	1205
	30	Wheelbase	Y (mm)	1880	1880	1880
Weight	31	Total Weight	kg	4670	4980	5180
	32	Front Axle Weight Distribution (Full Load)	kg	5990	7725	7725
	33	Rear Axle Weight Distribution (Full Load)	kg	975	955	955
	34	Front Axle Weight Distribution (No Load)	kg	1785	2070	2070
	35	Rear Axle Weight Distribution (No Load)	kg	2680	3110	3110

Specifications and characteristics are subject to change without notice.

MAST SPECIFICATIONS & RATED CAPACITIES

MastType	Mast Name	Max Fork Height (mm)	500 (mm) Load Capacity (kg)		Overall Height (mm)						Free Lift (mm)				Tilt Angle (Single)
					Lowered		Extended		Without Backrest		With Backrest				
					2.5T	3.5T	2.5T	3.5T	2.5T	3.5T	2.5T	3.5T	2.5T	3.5T	
Wide View Mast	M300	3000	2500	3500	2235	2330	3675	3840	4130	4320	105	165	105	165	10° / 12°
	M330	3300	2500	3500	2385	2480	3975	4140	4430	4620	105	165	105	165	10° / 12°
	M350	3500	2500	3500	2485	2580	4175	4340	4630	4820	105	165	105	165	10° / 12°
	M370	3700	2500	3500	2585	2680	4375	4540	4830	5020	105	165	105	165	10° / 12°
	M400	4000	2500	3400	2785	2880	4675	4840	5130	5320	105	165	105	165	10° / 12°
	M450	4500	2200	3100	3035	3130	5175	5340	5630	5820	105	165	105	165	10° / 12°
	M500	5000	1700	2600	3285	3380	5675	5840	6130	6320	105	165	105	165	6° / 6°
	M550	5500	1400	2300	3585	3680	6175	6340	6630	6820	105	165	105	165	6° / 6°
3-Stage Full/Free Wide View Mast	M600	6000	1000	1800	3835	3930	6675	6840	7130	7320	105	165	105	165	6° / 6°
	TFM400	4000	2500	3400	2115	2210	4767	4840	5222	5232	1380	1394	925	1010	10° / 12°
	TFM435	4350	2400	3000	2240	2335	5115	5205	5570	5590	1505	1519	1050	1135	10° / 12°
	TFM470	4700	2100	2800	2355	2450	5455	5545	5910	5930	1620	1634	1165	1250	10° / 12°
	TFM500	5000	1900	2600	2490	2585	5765	5855	6220	6240	1755	1769	1300	1385	6° / 6°
	TFM550	5500	1500	2300	2655	2750	6265	6350	6720	6735	1920	1934	1465	1550	6° / 6°
TFM600	6000	1200	1900	2840	2935	6765	6855	7220	7240	2105	2119	1650	1735	6° / 6°	

With side shifter, load capacity subtract 200kg.

YANMAR

Model: 4TNE98
Rated output: 42.1KW/2300RPM
Rated torque: 196N.M/1700RPM
No. of cylinder: 4
Displacement: 3.31L

XINCHAI

Model: A498BPG
Rated output: 45KW/2500RPM
Rated torque: 193N.M/1600-1900RPM
No. of cylinder: 4
Displacement: 3.168L

MITSUBISHI

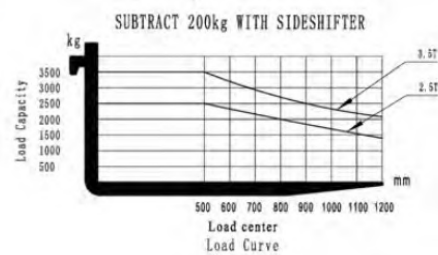
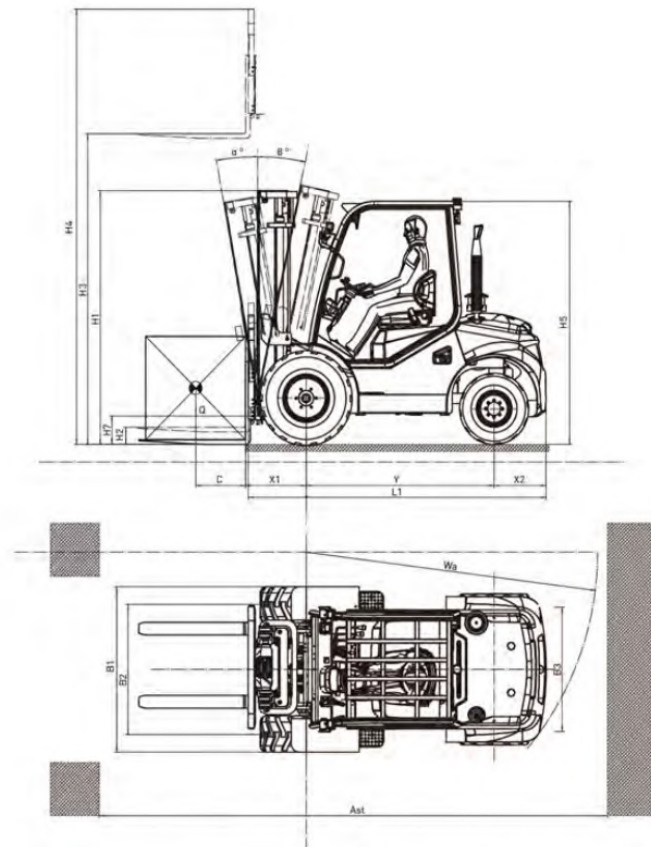
Model: S4S
Rated output: 35.3KW/2250RPM
Rated torque: 177N.M/1700RPM
No. of cylinder: 4
Displacement: 3.331L

KUBOTA

Model: V2403-CR-TE5 (EUV)
Rated output: 48.6(65.1)KW/2700RPM
Rated torque: 198.5N.M/1600RPM
No. of cylinder: 4
Displacement: 2.434L

ISUZU

Model: 4JG2
Rated output: 44.8KW/2450RPM
Rated torque: 486N.M/1700RPM
No. of cylinder: 4
Displacement: 3.059L



Tymbia Solutions S.L

info@tymbia.com - Tel. (0034) 964 371 296

Camí Miralcamp,139 - 12200 - Onda (Castellón) - Spain.

www.tymbia.com

